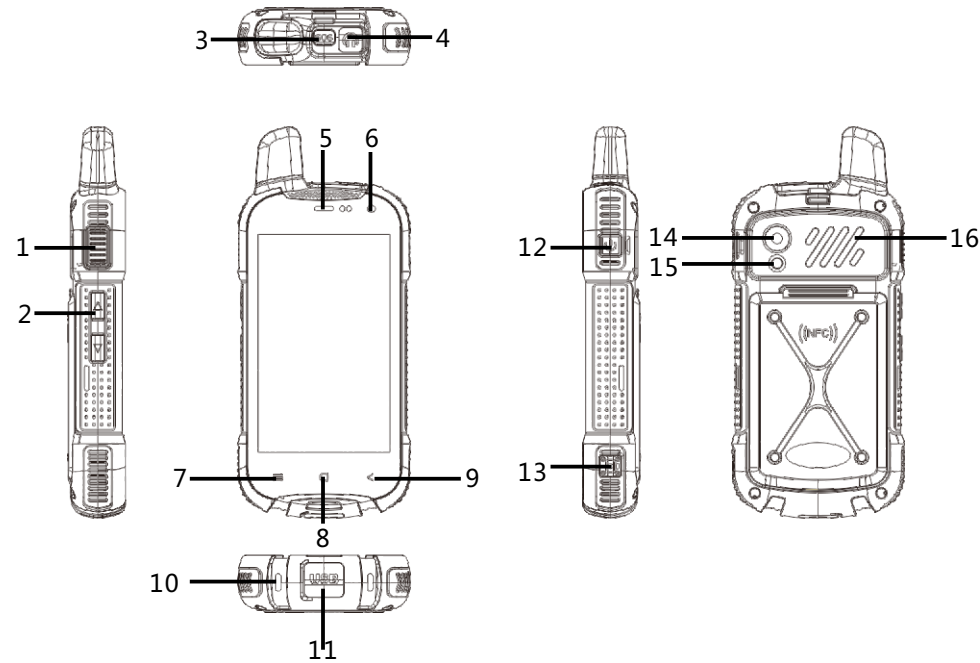


**RugGear®**  
**RG720**

TD-LTE digital mobile phone  
Power Idea Technology (Shenzhen) Co., Ltd.



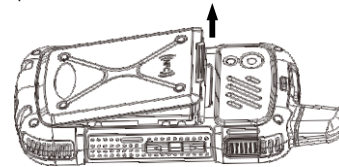
Item	Name	Function
1	Customizable key	A custom shortcut function key
2	Volume keys	Adjust volume
3	SOS key	SOS key
4	Earphone jack	When earphones connected, also doubles as antenna for FM radio to function
5	Receiver	Outputs call audio
6	Front camera	
7	Recent apps key	Tap to show recently used apps
8	Home key	Tap to return to the home screen
9	Back key	Tap to return to previous menu or exit the running application
10	External charging strips	Able to charge phone via these strips
11	Micro USB port	For data I/O and for charging
12	Power key	Start up or Shut down Long press to open mobile phone mode and
13	Camera key	Short press to open to camera
14	Rear camera	
15	Flash	Camera flash and torch
16	Speaker	Outputs sound

### SIM card/Micro SD card installation and removal, the back cover lock and unlock

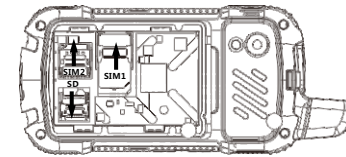
When you order a mobile phone service, you will receive a Subscriber Identity Module (SIM) card that contains your order details, such as a personal identification number (PIN) and optional service.

- ❑ The SIM card slot of this device is only suitable for conventional standard SIM cards and small cards (if a SIM card is smaller than a conventional card, please use a suitable card holder), inserting an unauthorized SIM card or SD card may cause damage to the SIM card and SD card slot of this device.

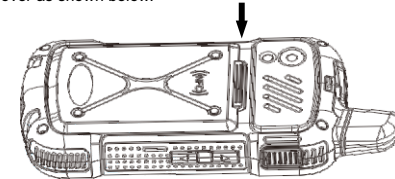
- ❑ First open the back cover.



- ❑ When installing the SIM card or SD card, turn up the sheet metal under the direction marked on the sheet metal. Insert the SIM card in accordance with the slot prompt direction as the following picture. The chip of the card should be down. Put the chip of SD card down and insert the corresponding slot. In the end, push down the slot on the sheet metal and buckle in place.



- ❑ Insert the back cover into the back cover slot and press it closely as per the following picture, then close the back cover as shown below.



- ❑ Note: Please shut down before removing the SIM card or memory card, and then remove the SIM card or SD card from the SIM card or SD card slot in the opposite direction.
- ❑ Note: After installation is complete, be sure to tightly battery cover, tightening the battery cover screw lock, to avoid the damage of water or dirt entering the mobile phone.

Only RugGear battery cover and accessories can be used.

### ❑ Insert / pull out the memory card tip:

To store additional multimedia data, you must insert a memory card that accepts up to 64GB. Please make sure to remove the memory card under safe condition.

1. Choose "Settings" → "Save" → "Unload Storage device" → "OK".
2. Please remove the memory card after shutting down.

### Waterproof and dust proof usage strategy

Your device has been tested and proved in certain conditions with waterproof and dustproof performance in accordance with international standard IEC 60529. IP level as follows:

0	without protection	0	without protection
1	Prevent large solid from intrusion	1	There is no effect when water drops drop on the cover
2	Prevent middle solid from intrusion	2	When mobile phone tilts to 15 degrees, there is no effect when water drops drop on the cover
3	Prevent small solid from intrusion	3	There is no effect that water drops from 60 degrees onto cover.
4	Prevent substance bigger than 1 mm from intrusion	4	There is no effect that when a liquid is splashed on the mobile phone in any direction
5	Prevent harmful dust from accumulating	5	Rinse with water without any damage. There is no effect when the mobile phone is flushed with water

6	completely prevent dust from entering the mobile phone	6	The mobile phone can be used in a cabin environment.
		7	The mobile phone can soak for a short time
		8	The mobile phone can soak under a certain pressure in a long time

**In order to avoid water or dust on your phone, please strictly follow the following tips:**

Make sure that the battery cover of the phone, the battery cover screw lock, the headset and the USB interface are fully closed to prevent dust and water. Be sure to clean off the battery cover.

- Do not expose your phone to an environment with water, such as waves or waterfalls.

Do not expose your phone to brine, water, or soapy water.

- Do not use in hot springs or high temperature water, waterproof soft side cannot be high temperature, otherwise it will lead to water.

- Do not open the battery cover with wet hands or when the phone is wet. Open the cover to open the cover to prevent the inside of the cover from flowing into the compartment.

- Do not open the phone's battery cover when immersing the phone in water or in a very humid environment. (Such as swimming or in a bathroom)

Do not open the battery cover when the body is not completely dry

Do not clean the product with chemicals such as detergents.

- The rubber seal on the inside of the battery cover is an important part of the phone. Be careful when opening or closing the battery cover to avoid damaging the rubber seal. Before closing the battery cover must ensure that there is no debris on the seal, such as sand, dust, hair and other debris, so as not to affect the battery cover tightly closed.

- If the phone is dropped or bumped, the battery cover and the multifunction jack cover may be loose. Make sure that all covers are properly aligned and tightly closed.

- The phone's waterproof design makes it possible to vibrate under certain conditions. Under these conditions (such as when the volume is high) the vibration is normal, and will not affect the performance of the phone.

- If you are doing outdoor activities, and your phone accidentally falls into mud, rinse it with water.

If you accidentally fill your fuselage on the beach, rinse it with water.

If the phone is immersed in water or the microphone or speaker is wet, the person may not be able to hear your voice during a call. The water must be dried and wiped with a dry cloth to ensure that the microphone or speaker is clean and dry and then air dried. Do not use a hair dryer to dry.

If water droplets are attached to the screen, the touch screen may be affected, resulting in an operation error. It is recommended to dry water droplets and then continue to use.

**Extended battery life tips:**

There are many features in the device that will increase power consumption, thereby reducing battery life, you can:

1. Turn off these radio functions when not using Bluetooth connectivity, Wi-Fi, or GPS positioning;
2. Lower the phone screen brightness and set a shorter sleep time can save power, you cannot use the device when the power button to close the screen;
3. Close the Email, calendar and contacts and other applications of automatic synchronization; clear recent apps by tapping the "recent apps" key;
4. Clear recent apps by tapping the "recent apps" key

**Security Information**

- ① Adapter shall be installed near the equipment and shall be easily accessible.
- ① The product shall only be connected to a USB interface of version USB2.0.
- ① Use careful with the earphone maybe possible excessive sound pressure from earphones and headphones can cause hearing loss.



The SAR limit of Europe is 2.0 W/kg. The device has also been tested against this SAR limit. The highest SAR value reported under this standard during product certification for use at the ear is 1.30W/kg and when properly worn on the body is 1.31W/kg. This device was tested for typical body-worn operations with the back of the handset kept 5mm from the body. The device complies with RF specifications when the device used at 5mm from your body. The use of belt clips, holsters and similar accessories should not contain metallic components in its assembly. The use of accessories that do not satisfy these requirements may not comply with RF exposure requirements, and should be avoided.

**Caution:** risk of explosion if battery is replaced by an incorrect type. Dispose used batteries according to the instructions.

The phone's normal operating temperature is -10°C ~+50°C .In order to ensure the normal phone functions, do not use this phone outside the temperature range.



This symbol on your product, the battery and the accessories means that these products must be taken to collection points at the end of their life.

Frequency bands	Maximum output power
GSM 900	33dBm
DCS 1800	30dBm
WCDMA 900	23dBm
WCDMA 2100	23dBm
LTE Band 1	23dBm
LTE Band 3	23dBm
LTE Band 5	23dBm
LTE Band 38	22dBm
LTE Band 39	23dBm
LTE Band 40	22dBm
WiFi	17dBm
BT	7dBm

**Disclaimer**

All content and services available through this device are third parties and are protected by copyright, patents, trademarks and other intellectual property laws, which are used only for personal non-commercial use. You may not be able to use any content or services when you do not have permission from the content owner or service provider.

Third party content and services are provided as is. RugGear makes no warranties, either express or implied, with respect to the content or services provided for any purpose. RugGear is expressly disclaims any implied

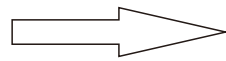
warranties or conditions, either by law, by common law or by any other means [including but not limited to merchantability or fitness for a particular purpose].

IN ANY CONTENT (INCLUDING NEGLIGENCE), ANY CONTENT OR TORT, ARISING OUT OF ANY DIRECT, INDIRECT, INCIDENTAL, SPECIAL OR CONSEQUENTIAL DAMAGES ARISING OUT OF ANY CONTENT, Loss or damages, attorneys' fees, expenses or any other loss or damage arising therefrom, or the connection of any information contained therein, or any use of any content or services by you or any third party, RugGear Shall not guarantee its accuracy, validity, timeliness, legality or completeness.

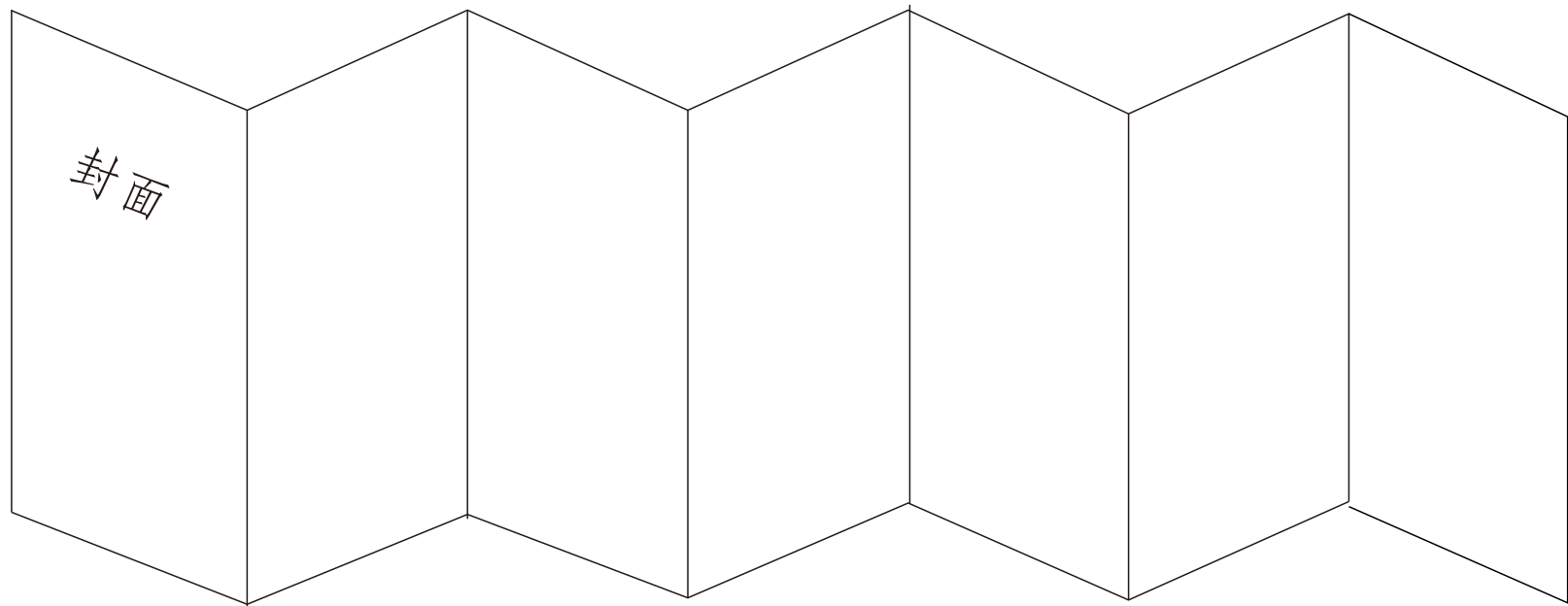
Third-party services may cease or discontinue at any time, and RugGear shall not be liable or warranties for any period of time that any content or service may be used. Content and services are transmitted by a third party through a network and transmission equipment other than RugGear control. In addition to the generality of the disclaimer, RugGear also expressly disclaims any liability or liability for any interruption or delay in any content or service to which this device applies.

RugGear has neither liability nor obligation to customer service involving content and services. Any service requirements related to content or service should be directly addressed by the content and service provider.

Address: 4th Floor, A Section , Languang Science&technology Building ,No.7 Xinxu RD , Hi-Tech Industrial Park North , Nanshan District ,ShenZhen , P.R.C.



70\*110mm 材质：80g书纸



最终效果

